

# Parts List

January, 2023



## Series XL - Tray Makeup Conveyors

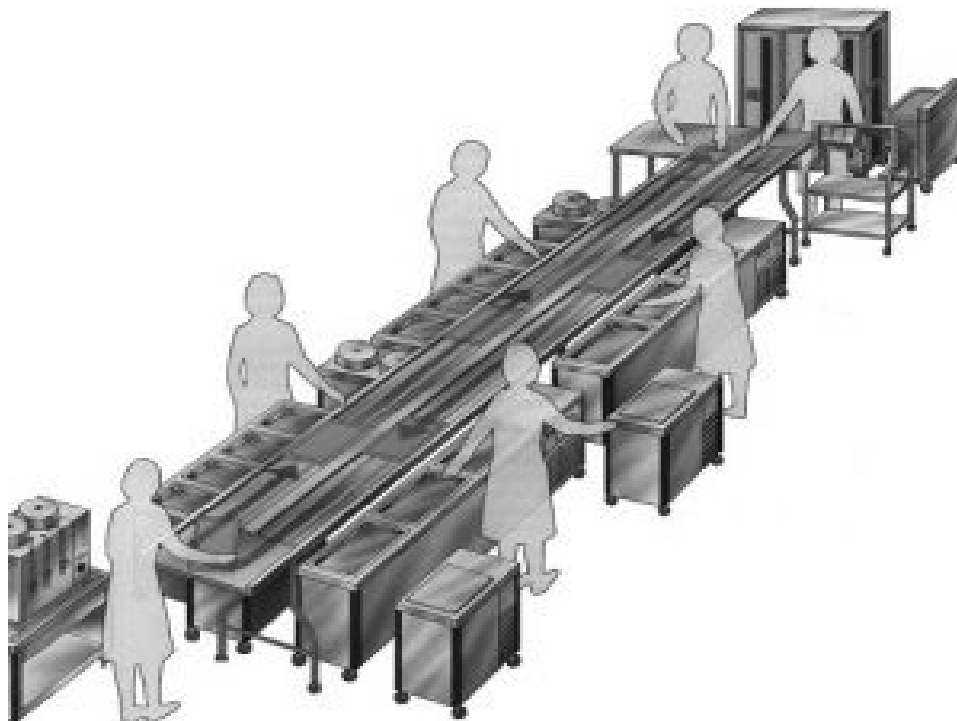
XL-1 Express Line, XL-2 Express Line, XL-R Express Line, and XL-S Express Line

Part Description	Part Number
Belt, Round, 1/2" Dia. Dura-San	6843-05
5" Efsen Idler Pulley	6881-01
7 1/2" Efsen Idler Pulley	6881-02
Spacer, Pulley (1 Per Idler Pulley)	6892-01
Tensioner Assembly, Tail End	6960-01
Double Drive Pulley 1" Bore (1/2 HP Motor)	6880-01
Double Drive Pulley 1 1/8" Bore (3/4 HP Motor)	6880-02
Belt Guide Short (2" Long)	6865-02
Belt Guide, Long (7" Long)	6909-01
Return Channel Cover (48" Long, 2 Finger Holes)	6885-01
5" Dia. Stem Caster	66-05
5" Dia. Stem Caster With Brake	70-65
Bushing Caster, Press in	6473-05
5" Dia. Platform Caster	74-05
5" Dia. Platform Caster With Brake	75-65
Bullet Foot With Thread	1326-01
Flanged Foot, Press in	1780-01

### Electrical Information and Parts

See electrical drawing or contact Caddy.

Please have conveyor Model, Serial Number and facility location prior to contact.



## Tray Makeup Conveyors - Slatted Belt Models

**TR-10 Traymaster: Caddyflex Belt**

**TM-10 Tray Makeup: Caddyflex Belt with Belt Washer**

Part Description	Part Number
10 Inch Wide Blue Belt (Assembled)	3117-01
Slat 10 Inch Blue Caddy	3118-03
5" Dia. Stem Caster	66-05
5" Dia. Stem Caster With Brake	70-65
Bushing Caster, Press in	6473-05
Bullet Foot With Thread	1326-01
Flanged Foot, Press in	1780-01
Drive Shaft	6813-01
Bearing Flanged, (4 hole) Drive	1364-01
Tail Shaft	6819-01
Bearing Flanged, (2 hole) Tail	1365-01
Sprocket, #60, 21 Tooth (Trantorque) 1 3/4" Bore	6807-01
Trantorque Collet Hub	6810-01
Sprocket, #60, 21 Tooth (Keyway) 1" Bore	1319-01

### Belt Washer and Electrical Information and Parts

See electrical drawing or contact Caddy.

Please have conveyor Model, Serial Number and facility location prior to contact.

## Tray Makeup Conveyors - Fabric Belt Models

### SM-10 Servmaster: PVC Belt

Part Description	Part Number
Belt Polytex, 10 Inch, White	3352-01
Pulley, Drive, 6" Dia.	3042-01
Pulley, Tail, 5" Dia.	3043-01
Lacing, Alligator	3293-01
5" Dia. Stem Caster	66-05
5" Dia. Stem Caster With Brake	70-05
5" Dia. Platform Swivel Caster	74-05
5" Dia. Platform Swivel Caster W/Brake	75-05
Bushing Caster, Press in	6473-01
Bullet Foot With Thread	1326-01
Flanged Foot, Press in	1780-01
Drive Shaft	4123-01
Bearing Flanged, (4 hole) Drive	1364-01
Tail Shaft	4122-01
Bearing Take-Up, 1" Bore	1366-01
Sprocket, #60, 21 Tooth (Trantorque)	6807-01
Trantorque Collet Hub	6810-01
Sprocket, #60, 21 Tooth (Keyway)	1319-01

### Electrical Information and Parts

See electrical drawing or contact Caddy.  
 Please have conveyor Model, Serial Number and facility location prior to contact.

## Tray Makeup Conveyors - Roller Models

RCF - RollerVeyor

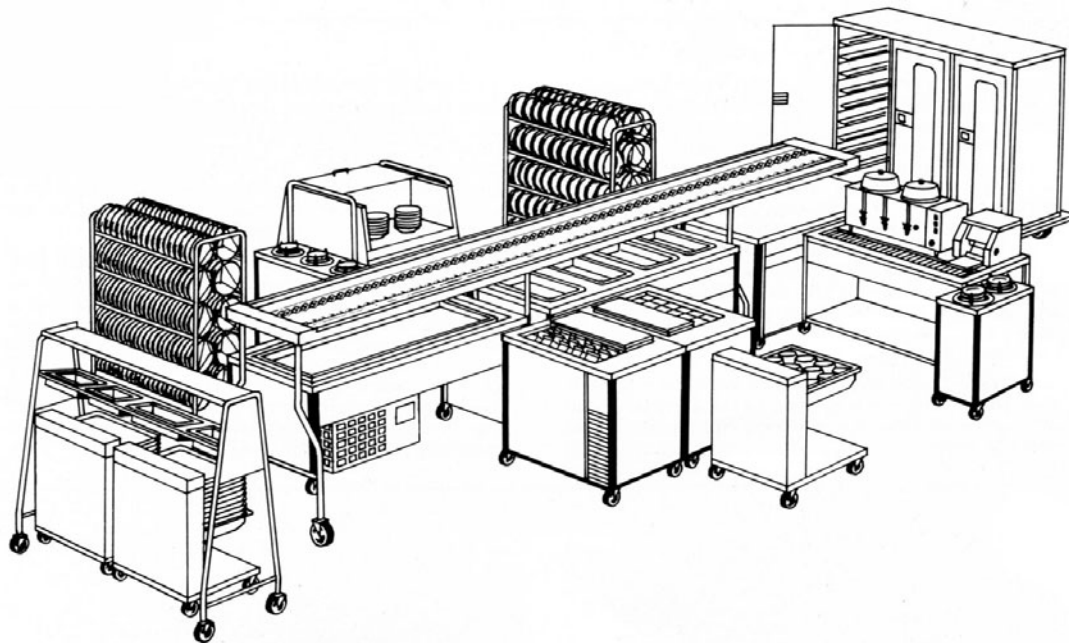
RCC - RollerVeyor: Cantilever Supported, Mobile

Part Description	Part Number
Roller Conveyor w/hardware	6947-01
5" Dia. Stem Caster	66-05
5" Dia. Stem Caster With Brake	70-65
Bushing Caster, Press in	6473-05
Bullet Foot With Thread	1326-01
Flanged Foot, Press in	1780-01

### Electrical Information and Parts

See electrical drawing or contact Caddy.

Please have conveyor Model, Serial Number and facility location prior to contact.



## Tray Makeup Conveyors - Skatewheel Models

**SWF - SkateWheelVeyor**

**SWC - SkateWheelVeyor: Cantilever Supported, Mobile**

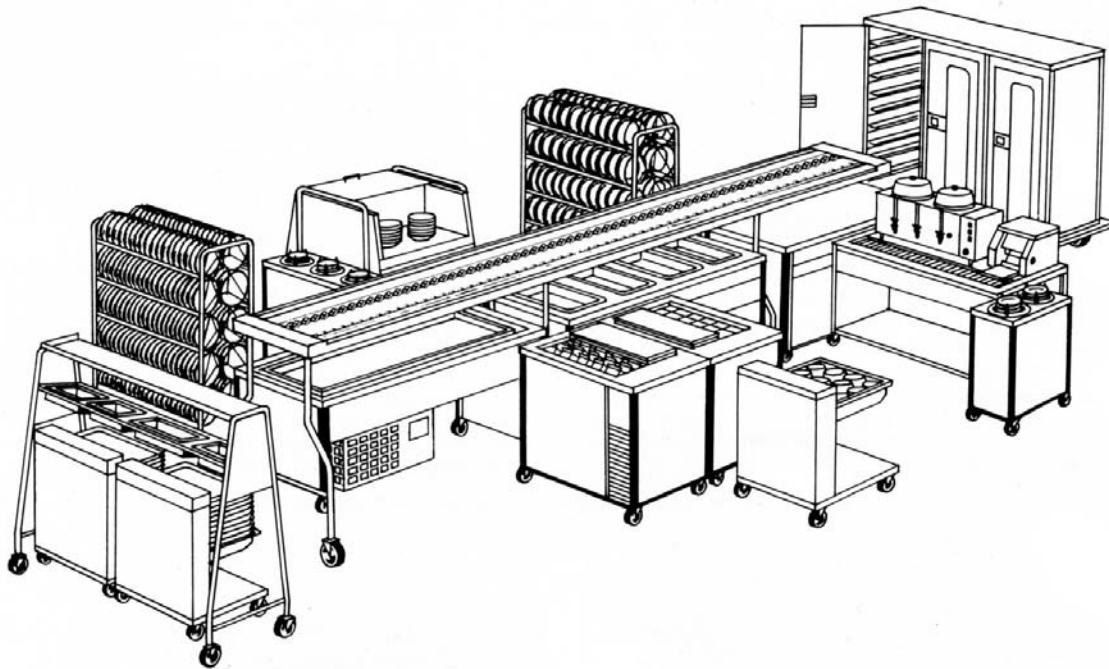
**SKW - SkateWheelVeyor: Mounted on Hot Food Table or Counter**

Part Description	Part Number
1.90" Dia. Plastic Skatewheel	4226-01
Screw, SS, Pan Head, Phillips	1013-29
Lock Nut, SS	1014-13
5" Dia. Stem Caster	66-05
5" Dia. Stem Caster With Brake	70-65
Bushing Caster, Press in	6473-05
Bullet Foot with Thread	1326-01
Flanged Foot, Press in	1780-01

### Electrical Information and Parts

See electrical drawing or contact Caddy.

Please have conveyor Model, Serial Number and facility location prior to contact.



## TF Series - Hot Food Caddys

Open Type	Enclosed Type Warming Cabinet
TF-602 Hot Food Caddy, 2 Well	TF-622 Hot Food Caddy, 2 Well
TF-603 Hot Food Caddy, 3 Well	TF-623 Hot Food Caddy, 3 Well
TF-604 Hot Food Caddy, 4 Well	TF-624 Hot Food Caddy, 4 Well
TF-605 Hot Food Caddy, 5 Well	TF-625 Hot Food Caddy, 5 Well
TF-606 Hot Food Caddy, 6 Well	TF-626 Hot Food Caddy, 6 Well

Open Type Slim Line	Enclosed Type, Slim Line Warming Cabinet
TF-612 Hot Food Caddy, 2 Well	TF-632 Hot Food Caddy, 2 Well
TF-613 Hot Food Caddy, 3 Well	TF-633 Hot Food Caddy, 3 Well
TF-614 Hot Food Caddy, 4 Well	TF-634 Hot Food Caddy, 4 Well

6-Well Full Convenience	
TF-616 Hot Food Caddy, Open Type	TF-636 Hot Food Caddy, Enclosed Type

Part Description	Part Number
Hot Food Well Complete (No Drain)	3981-02
Hot Food Well Complete (1/2" Drain)	4166-01
Hot Food Well Heating Element	4358-02
Infinite Heat Switch	129-01
Knob	1939-01
Pilot Light	125-04
Lower Heating Elements	4359-01
Click Stat / Thermostat	217-01
Door Latch	476-01
Trim Extrusion	426-05
4" Dia. Swivel Caster Without Brake	72-05
4" Dia. Swivel Caster With Brake	73-05
Cord Assembly	See Electrical Drawing

Accessories	
Part Description	Part Number
Push Handle, TF-602, 603, 604, 605	2207-01
Push Handle, TF-612, 613, 614	2207-02
Push Handle, TF-616 636	2207-04
Overhead Infra-Red Warmer, TF-602, 622	3076-01
Overhead Infra-Red Warmer, TF-603, 623	3077-01
Overhead Infra-Red Warmer, TF-612	3078-01
Overhead Infra-Red Warmer, TF-604, 624	3079-01
Overhead Infra-Red Warmer, TF-613, 616	3080-01
Overhead Infra-Red Warmer, TF-605	4864-01
Overhead Heating Element, TF-602, 622	4510-01
Overhead Heating Element, TF-612	4511-01
Overhead Heating Element, TF-604, 624	4512-01
Overhead Heating Element, TF-613, 616	4513-01
Overhead Heating Switch	4514-01



## Tray Delivery Trucks

Model Descriptions	
TD-607-D	1 Door, 7 Trays
TD-608-D	1 Door, 8 trays
TD-610-D	1 Door, 10 trays
TD-614-D	2 Doors, 14 Trays
TD-616-D	2 Doors, 16 Trays
TD-620-D	2 Doors, 20 Trays
TD-621-D	3 Doors, 21 Trays
TD-624-D	3 Doors, 24 Trays
TD-630-D	3 Doors, 30 Trays
TDC-20-D *	1 Door, 20 Trays
TDC-20-DD *	1 Door each side, 20 Trays
TDC-40-D *	2 Doors, 40 Trays
TDC-40-DD *	2 Doors each side, 40 Trays

\* Indicates trucks designed specifically for 14" x 18" trays



Model TD-630-D shown

All Models	
Description	Part Number
Latch Assembly	4690-01
Nylon Striker	4877-02
Thumb Screw (TD)	1014-01
Spring (TD)	4982-01
Latch Cover (Cream Only)	4985-30
Push/Pull Handle (TD)	462-02
Push/Pull Handle (TDC)	4854-01
Screws for Handle	1013-23
Menu Holder	6653-01
5" Dia. Rigid Platform Caster (TD-614/TD-621 only)	76-05
5" Dia. Swivel Platform Caster (TD-614/TD-621 only)	74-05
6" Dia. Rigid Platform Caster	3073-05
6" Dia. Swivel Platform Caster	3072-05
Replacement Doors	Contact Caddy for information.

Models TD-614, TD-616, TD-620	
Description	Part Number
Corner Bumper (L Shaped)	79-01
Corner Bumper Mounting Clip	6402-01
Short Bumper - 19.375" (End Panel)	4731-01
Long Bumper - 34.25" (Door or Back Panel)	4732-01
Short Channel (End Panel)	6351-01
Long Channel (Door or Back Panel)	6351-04
Vertical Corner Bumper - 12"	4691-01

Models TD-621, TD-624, TD-630	
Description	Part Number
Corner Bumper (L Shaped)	79-01
Corner Bumper Mounting Clip	6402-01
Short Bumper - 19.375" (End Panel)	4731-01
Long Bumper - 52.75" (Door or Back Panel)	4733-01
Short Channel (End Panel)	6351-01
Long Channel (Door or Back Panel)	6351-07
Vertical Corner Bumper - 12"	4691-01



## Tray Delivery Trucks (continued)

### Models TDC-20, TDC-24

Description	Part Number
Corner Bumper (L Shaped)	79-01
Corner Bumper Mounting Clip	6402-01
Short Bumper (End Panel)	6443-01
Long Bumper (Door or Back Panel)	6433-02
Short Channel (End Panel)	6351-02
Long Channel (Door or Back Panel)	6351-03
Vertical Corner Bumper - 12"	4691-01

### Model TDC-40

Description	Part Number
Corner Bumper (L Shaped)	79-01
Corner Bumper Mounting Clip	6402-01
Short Bumper (End Panel)	6443-02
Long Bumper (Door or Back Panel)	6433-03
Short Channel (End Panel)	6451-03
Long Channel (Door or Back Panel)	6351-05
Long Channel (Door or Back Panel)	6351-03
Vertical Corner Bumper - 12"	4691-01

### Model TD-614, 616, 621, 624

Description	Part Number
End Panel, Teal, 28.87" X 13.25"	7024-01
Door Panel, Teal, 28.25" X 5"	7024-02
End Panel, Cranberry, 28.87" X 13.25"	7024-11
Door Panel, Cranberry, 28.25" X 5"	7024-12
End Panel, Grey, 28.87" X 13.25"	7024-21
Door Panel, Grey, 28.25" X 5"	7024-22
End Panel, Blue, 28.87" X 13.25"	7024-31
Door Panel, Blue, 28.25" X 5"	7024-32

### Model TD-620, 630

Description	Part Number
End Panel, Teal, 44.75" X 13.25"	7024-03
Door Panel, Teal, 44.25" X 5"	7024-04
End Panel, Cranberry, 44.75" X 13.25"	7024-13
Door Panel, Cranberry, 44.25" X 5"	7024-14
End Panel, Grey, 44.75" X 13.25"	7024-23
Door Panel, Grey, 44.25" X 5"	7024-24
End Panel, Blue, 44.75" X 13.25"	7024-33
Door Panel, Blue, 44.25" X 5"	7024-34

### Replacement Bumpers

For other than grey neoprene, contact Caddy. Please have your model number available.

### Replacement Graphics

Colors Available - Teal, Cranberry, Grey & Blue

## Series 21-C Soiled Tray Conveyors

Part Description	Part Number
Belt, Round, 1/2" Dia. Dura-San	6843-05
5" Idler Pulley	6881-01
7 1/2" Idler Pulley	6881-02
Spacer, Pulley (1 Per Idler Pulley)	6892-01
Tensioner Assembly, Tail End	6960-01
Double Drive Pulley 1" Bore (1/2 HP Motor)	6880-01
Double Drive Pulley 1 1/8" Bore (3/4 HP Motor)	6880-02
Belt Guide Short (2" Long)	6865-02
Belt Guide, Long (7" Long)	6909-01
Return Channel Cover (48" Long, 2 Finger Holes)	6885-01

### 45° and 90° Turn Components

Part Description	Part Number
21-C Turn, Drive Pulley (3 Req'd. Per 45° Turn) (6 Req'd. Per 90° Turn)	6887-01
21-C Turn, Drive Bushing (3 Req'd. Per 45° Turn) (6 Req'd. Per 90° Turn)	6889-01
21-C Turn, Return Pulley (2 Req'd. Per 45° Turn) (6 Req'd. Per 90° Turn)	6888-01
21-C Turn, Return Bushing (2 Req'd. Per 45° Turn) (6 Req'd. Per 90° Turn)	6890-01
Turn Pulley Mtg. Shaft (5 Req'd. Per 45° Turn) (12 Req'd. Per 90° Turn)	6933-01
Bolt, 1/4-20, S/S, 1/2" (5 Req'd. Per 45° Turn) (12 Req'd. Per 90° Turn)	1016-01

### Electrical Information and Parts

See electrical drawing or contact Caddy.  
 Please have conveyor Model, Serial Number and facility location prior to contact.



## Soiled Tray Conveyors - Slatted Belt Models

### CF-10 Soiled Tray: Caddyflex Belt with Belt Washer

Part Description	Part Number
10 Inch Wide Blue Belt (Assembled)	3117-01
Slat 10 Inch Blue Caddy	3118-03
Bullet Foot With Thread	1326-01
Flanged Foot, Press in	1780-01
Drive Shaft (Trantorque)	6813-01
Bearing Flanged, (4 hole) Drive	1364-01
Tail Shaft (Trantorque)	6814-01
Bearing Flanged, (2 hole) Tail	1365-01
Sprocket, #60, 21 Tooth (Trantorque) 1 3/4" Bore	6807-01
Trantorque Collet Hub	6810-01
Drive Shaft (Keyway)	3987-01
Tail Shaft (Keyway)	4015-01
Sprocket, #60, 21 Tooth (Keyway) 1" Bore	1319-01

### BU-10-10 Busmaster: Caddyflex Belt BV-10-10 Busing-Veyor: Caddyflex Belt with Belt Washer SV-10-10 Sorting-Veyor: Caddyflex Belt with Belt Washer

Part Description	Part Number
10 Inch Wide Blue Belt (Assembled)	3117-01
Slat 10 Inch Blue Caddy	3118-03
Bullet Foot With Thread	1326-01
Flanged Foot, Press in	1780-01
5" Dia. Stem Caster	66-05
5" Dia. Stem Caster With Brake	70-65
Bushing Caster, Press in	6473-05
5" Dia. Platform Caster	74-05
5" Dia. Platform Caster With Brake	75-65
Drive Shaft	6815-01
Bearing Flanged, (4 hole) Drive	1364-01
Tail Shaft (BV-10-10, SV-10-10)	6816-01
Tail Shaft (BU-10-10)	6828-01
Bearing Flanged, (2 hole) Tail	1365-01
Sprocket, #60, 21 Tooth (Trantorque) 1 3/4" Bore	6807-01
Trantorque Collet Hub	6810-01
Sprocket, #60, 21 Tooth (Keyway) 1" Bore	1319-01

### Belt Washer and Electrical Information and Parts

See electrical drawing or contact Caddy.  
 Please have conveyor Model, Serial Number and facility location prior to contact.

## Soiled Tray Conveyor - Beltwashers

### Single Belt Conveyor 12" Beltwasher

Part Description	Part Number
Nozzle, Vee Jet, 1/4" IPS	1374-01
Top Spray Pipe Assembly	6957-01
Bottom Spray Pipe Assembly	6957-02
Top Wiper Deflector	3183-16
Bottom Wiper Deflector	3183-13
Scrap Basket	6295-01
Roller Assembly, 12"	6952-01
1/2" IPS, Check Valve	6115-01
Tempering Valve	1569-01
3/8" IPS, Stop Valve	1351-01
3/8" IPS, Solenoid Valve (120V)	6618-03
3/8" IPS, Solenoid Valve (240V)	6618-04
Pressure Regulator	1568-02
3/8" IPS, Pressure Gauge	5405-01
1/2" IPS, Vacuum Breaker	1972-01
Vacuum Breaker Bracket	5271-01

### Double Belt Conveyor 22" Beltwasher

Part Description	Part Number
Nozzle, Vee Jet, 1/4" IPS	1374-01
Top Spray Pipe Assembly	6959-01
Bottom Spray Pipe Assembly	6959-02
Top Wiper Deflector	3183-16
Bottom Wiper Deflector	3183-13
Scrap Basket	6295-02
Roller Assembly, 22"	6952-02
1/2" IPS, Check Valve	6115-01
Tempering Valve	1569-01
3/8" IPS, Stop Valve	1351-01
3/8" IPS, Solenoid Valve (120V)	6618-03
3/8" IPS, Solenoid Valve (240V)	6618-04
Pressure Regulator	1568-02
3/8" IPS, Pressure Gauge	5405-01
1/2" IPS, Vacuum Breaker	1972-01
Vacuum Breaker Bracket	5271-01

### Intermediate Swill Sink

Part Description	Part Number
Scrap Basket	6295-03

### BeltWasher Electrical Information and Parts

See electrical drawing or contact Caddy.

## Heated Dish Dispensers Series CM100H through CM500H

Description	Part Number			
	Select Part Based on Voltage	120 Volt	208 Volt	240 Volt
Heating Element		3878-01	3878-02	3878-01
Switch		124-01	124-01	124-01
Infinite Heat Switch		3430-01	129-01	129-01
Flanged Inlet		4052-01	4054-01	4054-01
Cord Assembly		4676-01	4677-01	4677-01
Plug		89-01	38-01	38-01
Cord Receptacle		4053-01	4055-01	4055-01
Hi Limit Clik Stat		127-01	127-01	127-01
Caster		72-05	72-05	72-05
Wheel Only		6385-02	6385-02	6385-02
Protective Trim		426-05	426-05	426-05
Lexan Cover for CM100H		3655-01	3655-01	3655-01
Lexan Cover for CM200H		3655-02	3655-02	3655-02
Lexan Cover for CM300H		3655-03	3655-03	3655-03
Lexan Cover for CM400H		3655-04	3655-04	3655-04
Lexan Cover for CM500H		3655-04	3655-04	3655-04
Cylinder for CM100H		6894-01	6894-01	6894-01
Cylinder for CM200H		6894-02	6894-02	6894-02
Cylinder for CM300H		6894-03	6894-03	6894-03
Cylinder for CM400H		6894-04	6894-04	6894-04
Cylinder for CM500H		6894-05	6894-05	6894-05
Guide Post - Black		894-01	894-01	894-01

## Super Heat Dish Dispensers Series CM100SH through CM500SH

Description	Part Number		
	120 Volt	208 Volt	240 Volt
<b>Select Part Based on Voltage</b>			
Casters	74-05	74-05	74-05
Casters With Brakes	75-05	75-05	75-05
Wheels Only	6385-02	6385-02	6385-02
Corner Bumpers	508-01	508-01	508-01
Perimeter Bumpers - Long	4012-03	4012-03	4012-03
Perimeter Bumpers - Short	4012-01	4012-01	4012-01
Aluminum Cover for CM300SH	5916-03	5916-03	5916-03
Cylinder Assembly for CM300SH	5899-01	5899-01	5899-01
Cylinder Assembly for CM400SH	7482-01	7482-01	7482-01
Protective Trim Extrusion	426-05	426-05	426-05
Cord Assembly	4008-01	4003-01	4003-01
Flanged Inlet	3919-01	3957-01	3957-01
Timer	3966-01	3966-01	3966-01
Timer Knob	4006-01	4006-01	4006-01
Timer Plate	4007-01	4007-01	4007-01
Pilot Light	125-05	125-04	125-04
Heating Element – 620 Watts	3980-01	3980-02	3980-01
Heating Element – 475 Watts	3878-01	3878-02	3878-01
Hi Limit Clik Stat	127-01	127-01	127-01
Plug	90-01	39-01	39-01
Cord Receptacle	3920-01	3958-01	3958-01

## High Heat Underliner Dispensers Series CM100HH through CM500HH

Description	Part Number		
	120 Volt	208 Volt	240 Volt
<b>Select Part Based on Voltage</b>			
Casters	74-05	74-05	74-05
Casters With Brakes	75-05	75-05	75-05
Wheels Only	6385-02	6385-02	6385-02
Corner Bumpers	508-01	508-01	508-01
Perimeter Bumpers - Long	4012-03	4012-03	4012-03
Perimeter Bumpers - Short	4012-01	4012-01	4012-01
Aluminum Cover for CM300HH	5916-03	5916-03	5916-03
Cylinder Assembly for CM300HH	5899-01	5899-01	5899-01
Cylinder Assembly for CM400HH	7482-01	7482-01	7482-01
Protective Trim Extrusion	426-05	426-05	426-05
Cord Assembly	4008-01	4003-01	4003-01
Flanged Inlet	3919-01	3957-01	3957-01
Timer	3966-01	3966-01	3966-01
Timer Knob	4006-01	4006-01	4006-01
Timer Plate	4007-01	4007-01	4007-01
Pilot Light	125-05	125-04	125-04
Heating Element – 620 Watts	3980-01	3980-02	3980-01
Heating Element – 475 Watts	3878-01	3878-02	3878-01
Hi Limit Clik Stat	127-01	127-01	127-01
Plug	90-01	39-01	39-01
Cord Receptacle	3920-01	3958-01	3958-01